

PORTA-GANTRY® RAPIDE 1000



1000KG
WLL



1-2
People



42KG
Compact
Storage



EN795

Unique, ultra-light & rapidly deployable gantry that provides a versatile lifting solution for goods and personnel.



NEW 2019

INCREASED WLL

The WLL has been increased to 1000kg

NEW 2019

LOCK OFF HOLES

Sheave carrier and trolley lock off holes across full length of beam

NEW 2019

WINCH ATTACHMENT

Additional hole for ease of winch attachment



EXTRA HEIGHT

Telescopic height adjustable footings with rapid attachment

NEW 2019

GATED TROLLEY

Reduced head height



NEW 2019

INCREASED HEIGHT ADJUSTMENT RANGE

NEW 2019

COMPACT

Frames easily fold onto beam forming compact, stowable unit. Fits into a typical service van - Dim J is reduced!

TRANSPORTABILITY

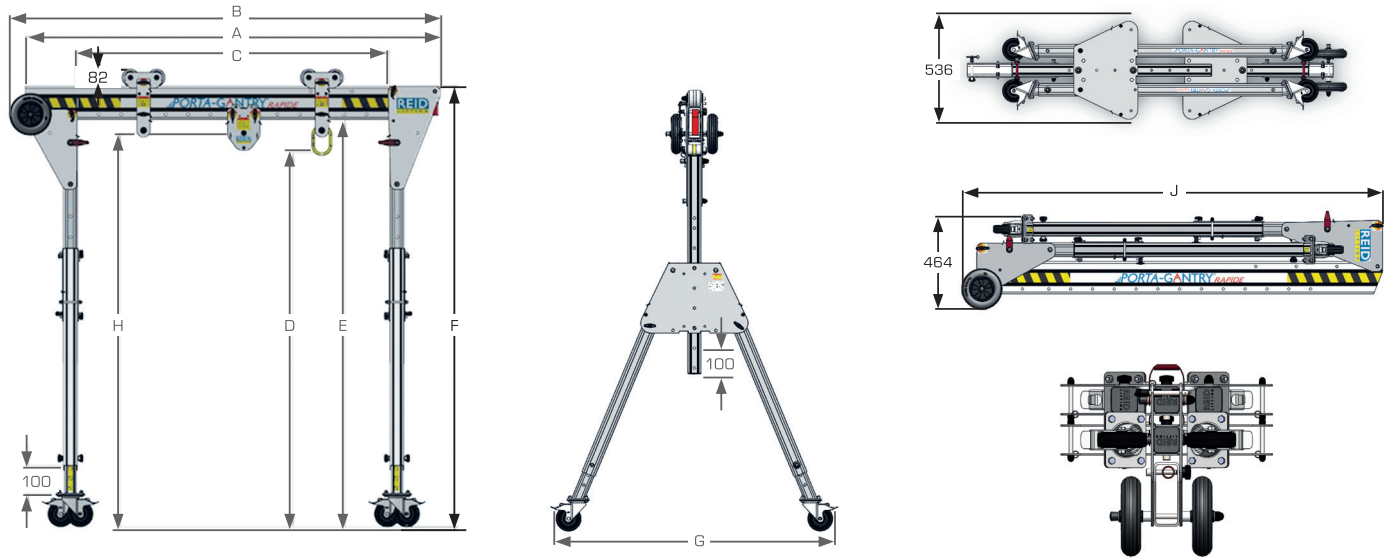
Total weight from just 42kg. Easily transportable by 1 person with integrated wheel and handle

PORTA-GANTRY RAPIDE 1000 Information:

- **GOODS WLL** Increased working load limit to 1000kg across the entire RAPIDE 1000 range
- **BEAM LENGTH** 2m, 3m & 4m beam as standard
- **HEIGHT ADJUSTMENT** Increased height adjustment range in all RAPIDE 1000 configurations
- **PERSONNEL WLL** Up to 500kg positioning, 150kg fall arrest
- **3 PERSON FALL ARREST** In conformity with PD CEN/ TS16415:2013
- **1 PERSON FALL ARREST** In conformity with EN795:2012 - as part of an EN363 compliant system, ANSI Z359.18-17 & AS/ NZS 5532:2013
- **ROPE ACCESS** Conforms to IRATA International Code of Practice for industrial rope access
- **ATEX** All models suitable for use in ATEX Zone 2 explosive atmospheres. ATEX Zone 1 is available as an upgrade
- **LIGHTWEIGHT & PORTABLE** Within manual handling guidelines, weighing from only 42kg
- **CONFIGURATIONS** Range of beam lengths up to 4m and configurations available
- **GATED TROLLEY** Lightweight trolley with reduced head height
- **FOOTINGS** Height adjustable 50mm increments castors / levelling feet with ease of attachment
- **TRAP PLATE** Additional hole spacing for ease of winch bracket attachment
- **BEAM HOLES** Sheave carrier and Trolley lock off holes across the full length of the beam

Patented & registered designs.

PORTA-GANTRY RAPIDE 1000 Dimensions



	Dimensions (mm)													WLL			Unit Weight (kg)	
	A	B	C _{Min}	C _{Max}	D _{Min}	D _{Max}	E _{Min}	E _{Max}	F _{Min}	F _{Max}	G	H _{Min}	H _{Max}	J	Goods Capacity (kg)	Fall Arrest Capacity* No of Person(s)		Personnel Positioning* (kg)
PGR1TS20	2000	2077	1102	1502	1430	1930	1661	2161	1822	2322	1270	1549	2049	2077	1000	3	500	42
PGR1TS30	3000	3077	1902	2502										3077	1000	3	500	50
PGR1TS40	4000	4077	1902	3502										4077	1000	3	500	55
PGR1TM20	2000	2077	1102	1502	1740	2440	1900	2600	2061	2761	1484	1859	2559	2200	1000	3	500	46
PGR1TM30	3000	3077	1902	2502										3077	1000	3	500	51
PGR1TM40	4000	4077	1902	3502										4077	1000	3	500	56
PGR1TT20	2000	2077	1102	1502	1980	2880	2140	3040	2301	3201	1698	2099	2999	2830	1000	3	500	50
PGR1TT30	3000	3077	1902	2502										3077	1000	3	500	55
PGR1TT40	4000	4077	1902	3502										4077	1000	3	500	59

*Ratings using European standards. Contact REID for other standards.

Easy assembly by 1 person in less than 60 seconds:

