



PORTABASE[®]
Counterbalance

PORTABASE[®]

Levelling feet for safe, secure operation on uneven ground

Detachable folding basket with integrated swivel-locking castors

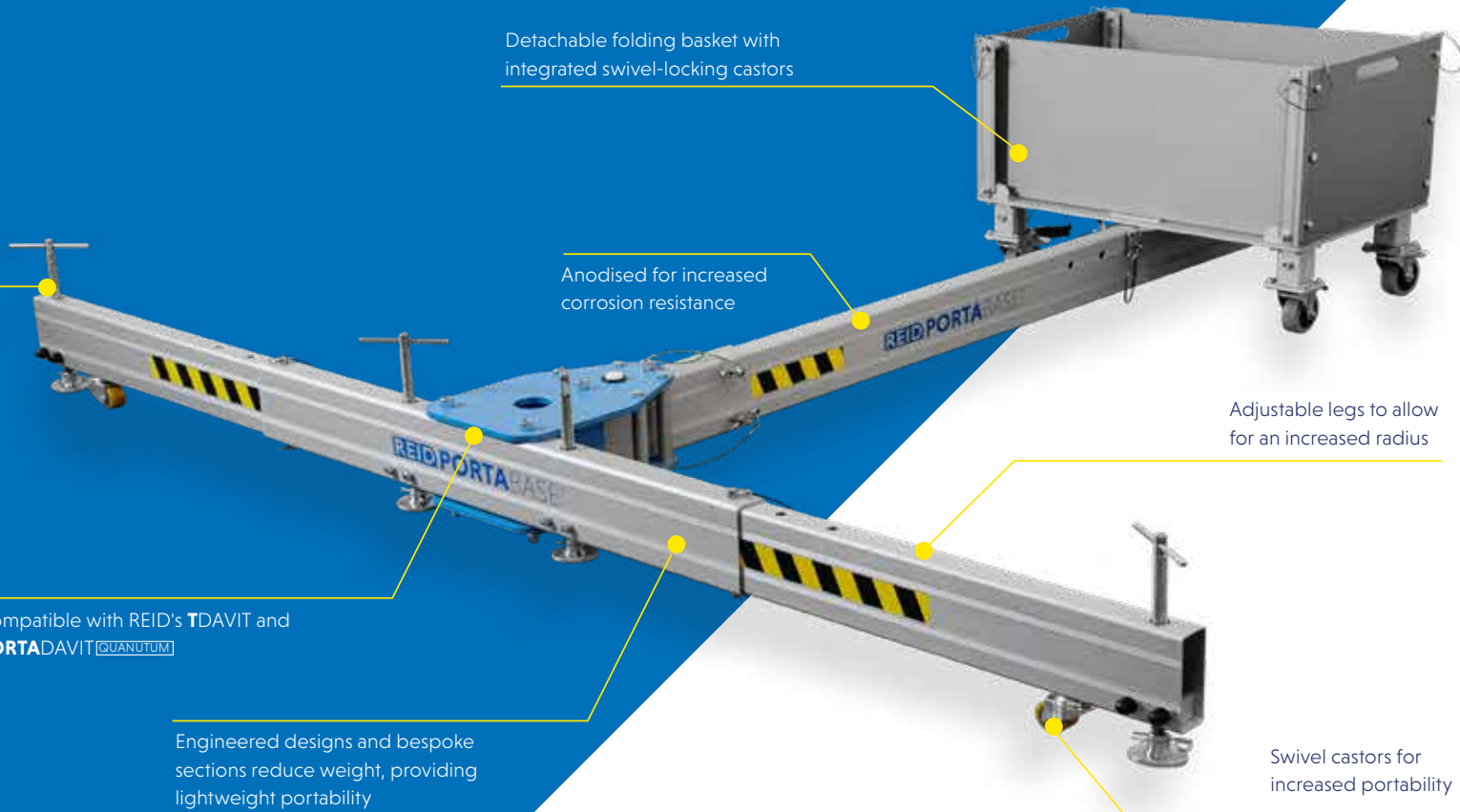
Anodised for increased corrosion resistance

Adjustable legs to allow for an increased radius

Compatible with REID's TDAVIT and PORTADAVIT QUANTUM

Engineered designs and bespoke sections reduce weight, providing lightweight portability

Swivel castors for increased portability



The **PORTABASE** Counterbalance is a five piece, portable system which can be easily broken down for transportation. The product is quick and easy to set up with no tools required.

The system is compatible with the **TDAVIT** and **PORTADAVIT [QUANTUM]** providing maximum flexibility where the installation or use of a fixed socket is not possible. The **PORTABASE** Counterbalance enables our Davit products to be used for lifting goods up to 600kg, as well as providing access and egress for confined space and work at height tasks, including as an anchor point for fall arrest scenarios.

> Key features

- > EN795:2012 Certified
- > Can support goods and personnel lifting;
 - > Goods WLL of up to 600kg
 - > Personnel WLL of up to 300kg
- > Breaks down in to 5 components for ease of transportation and stowage
- > Designed for ease of assembly using pins, with no bolted sections or the need for tools
- > Detachable legs and foldable basket for ease of transportation
- > Levelling feet designed to support the system to function correctly on uneven ground
- > Integrated swivel castors, as standard
- > Compatible with the use of **TDAVIT** and **PORTADAVIT [QUANTUM]**
- > Clean, anodised finish for increased corrosion resistance
- > Uses 20kg hand weights for the basket, reducing manual handling risks
- > Engineered designs and bespoke sections reduce weight, providing lightweight portability

> Configurations

Height adjustable feet can be fitted to the **PORTABASE** Counterbalance basket, providing an adjustment of 230mm. For more information contact REID.



**600KG
WLL**



**1-2 PERSON
ASSEMBLY**



**5 MANAGEABLE
COMPONENTS**



**EN795
CERTIFIED**

> Features & Performance

COUNTERBALANCE

Accreditations, Certifications & Standards

EN795:2012	✓
ANSI Z359.18-17	✓
ATEX Certified [Zone 2]	Optional
IRATA	✓

Capacity

Maximum Goods Lifting [kg]	600
Maximum Personnel Lifting [kg]	300
Fall Arrest [Persons]	1
Maximum Radius [mm]	1200

Dimensions

Minimum Base Width [mm]	2320
Maximum Base Width [mm]	2720
Minimum Base Height [mm]	240
Maximum Base Height [mm]	332
Overall Length [mm]	2415

Compatible Products

Porta Davit Quantum [Restricted]	✓
Porta Davit Quantum [1]	✓
Porta Davit Quantum [2]	x
T Davit [Shackled]	✓
T Davit [Winched]	✓
T Davit [Double Winched]	✓

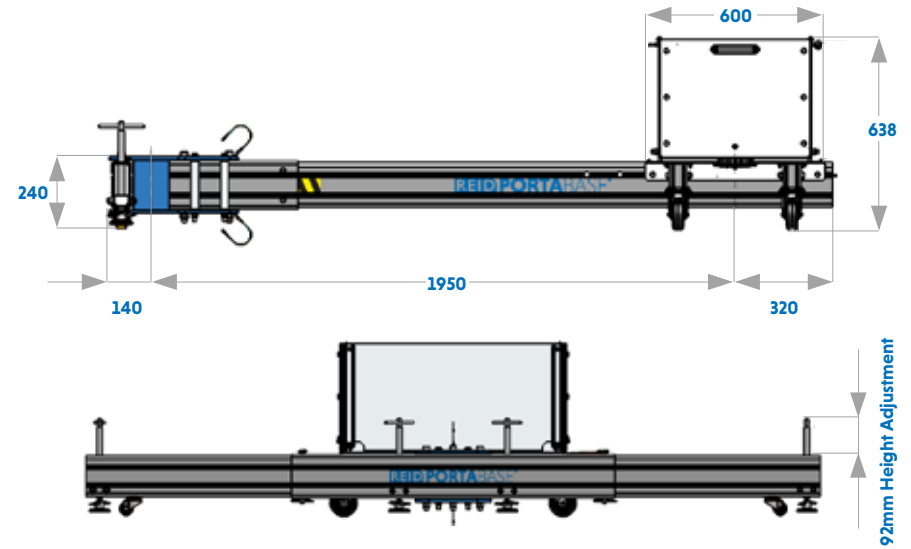
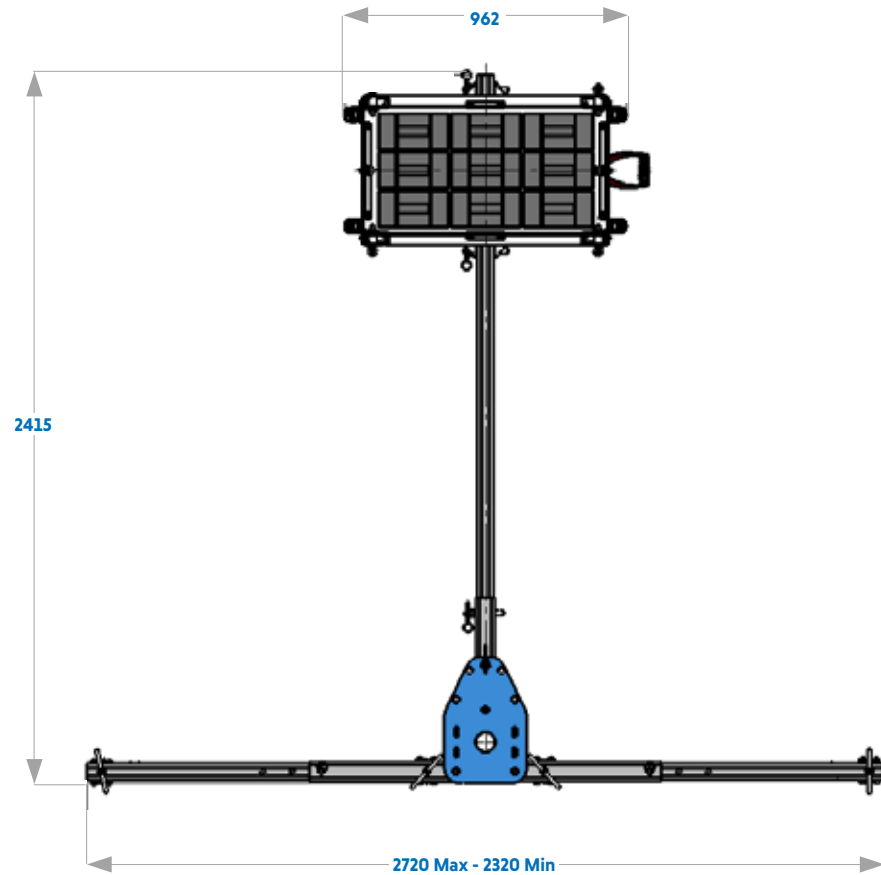
Features

Levelling Feet	✓
Individual Component Weight < 25kg	✓
No Tools Required	✓
Swivel Castors	✓
Basket Height Adjustable Feet	Optional

Finishes

Anodised / Powder Coated	✓
316SS Fixings	Optional
Marine Spec	Optional

PORTABASE® Counterbalance | Dimensions



Dimensions

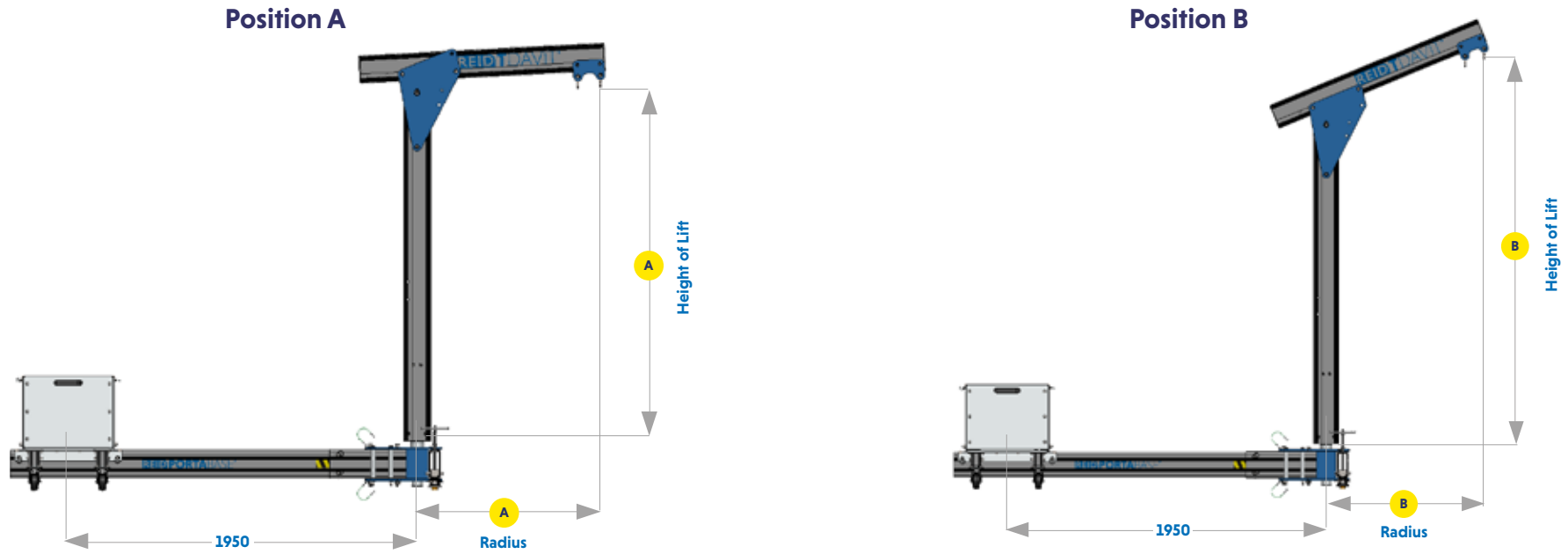
Component	Weight [kg]
Central Hub	24kg
Leg Assembly [Each]	5kg
Tail	6kg
Basket [Empty]	38kg
Total Weight	78kg

Product Code	Description
PBCB00001	Porta Base Counterbalance Standard - Max 1200mm Radius
RAHW00001	Hand Weight [1 x 20kg]
RAHW00003	360kg Hand Weight Set [18 x 20kg]
RAHW00004	540kg Hand Weight Set [27 x 20kg]
RAPBC0001	Porta Base Counterbalance Basket Height Adjustment Kit



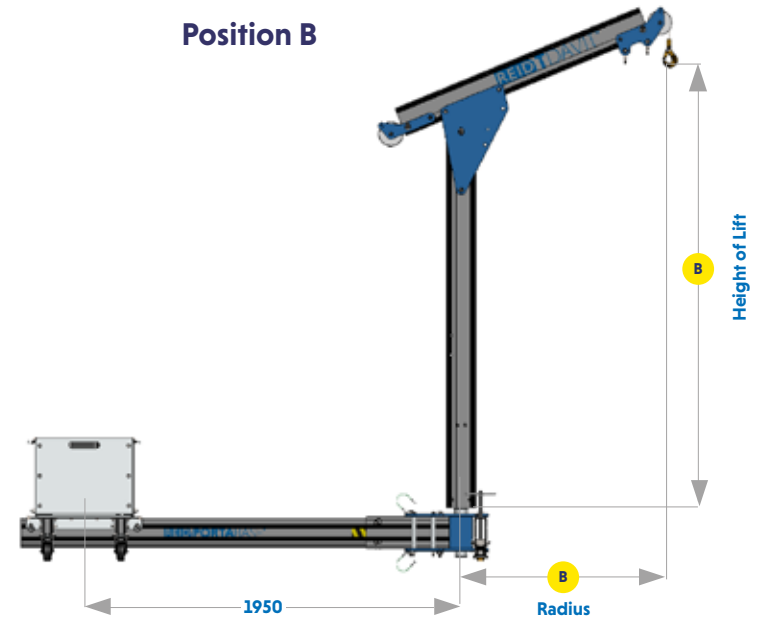
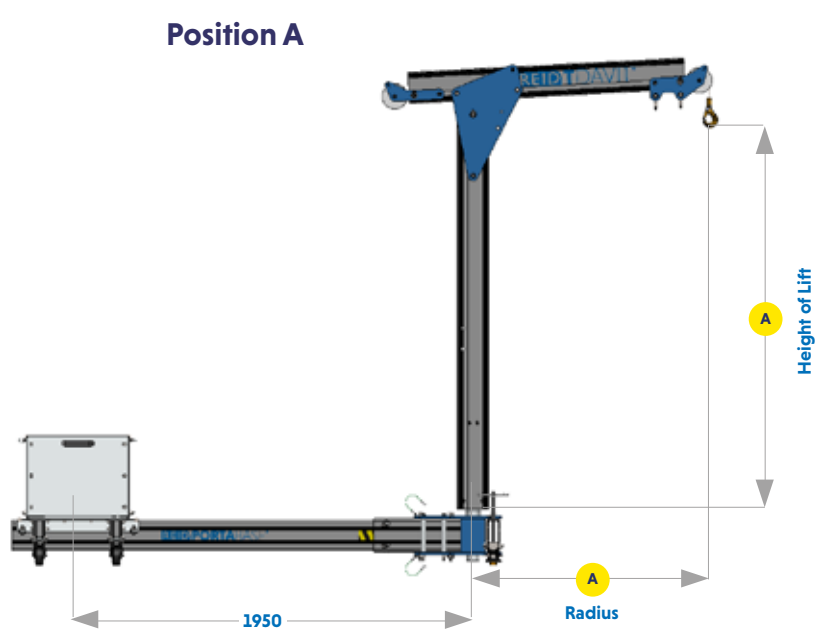
A height adjustment kit can be fitted to the basket, providing an adjustment of 230mm.

PORTABASE® Counterbalance | **TDAVIT**® Shackled



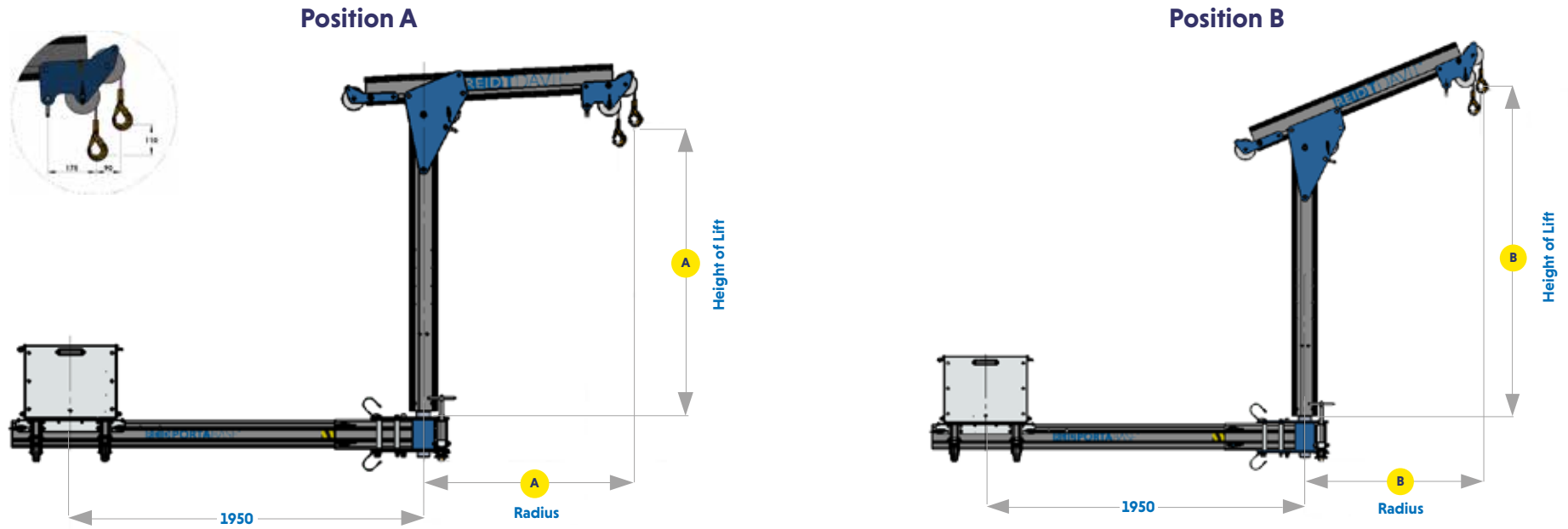
PRODUCT CODE	HEIGHT OF LIFT (HOL) (MM)		RADIUS (MM)		WLL			WEIGHT (KG)
	Position A	Position B	Position A	Position B	Goods [kg]	Personnel [kg]	Fall Arrest	
TDSA3A0	1370	1590	650	590	600	300	1 person	32
TDSA3A1	1380	1665	850	775	500	250	1 person	33
TDSA3A2	1390	1740	1050	960	400	200	1 person	34
TDSA4A0	1685	1905	650	590	600	300	1 person	34
TDSA4A1	1695	1980	850	775	500	250	1 person	35
TDSA4A2	1705	2055	1050	960	400	200	1 person	36
TDSA5A0	1995	2215	650	590	600	300	1 person	37
TDSA5A1	2005	2290	850	775	500	250	1 person	38
TDSA5A2	2015	2365	1050	960	400	200	1 person	39

PORTABASE® Counterbalance | **TDAVIT®** Winched



PRODUCT CODE	HEIGHT OF LIFT (HOL) (MM)		RADIUS (MM)		WLL			WEIGHT (KG)
	Position A	Position B	Position A	Position B	Goods [kg]	Personnel [kg]	Fall Arrest	
TDWA3A0	1290	1540	800	740	600	300	1 person	34
TDWA3A1	1300	1615	1000	925	500	250	1 person	35
TDWA3A2	1310	1690	1200	1110	400	200	1 person	36
TDWA4A0	1605	1855	800	740	600	300	1 person	36
TDWA4A1	1615	1930	1000	925	500	250	1 person	37
TDWA4A2	1625	2005	1200	1110	400	200	1 person	38
TDWA5A0	1915	2165	800	740	600	300	1 person	39
TDWA5A1	1925	2240	1000	925	500	250	1 person	40
TDWA5A2	1935	2315	1200	1110	400	200	1 person	41

PORTABASE® Counterbalance | **TDAVIT**® Double Winched

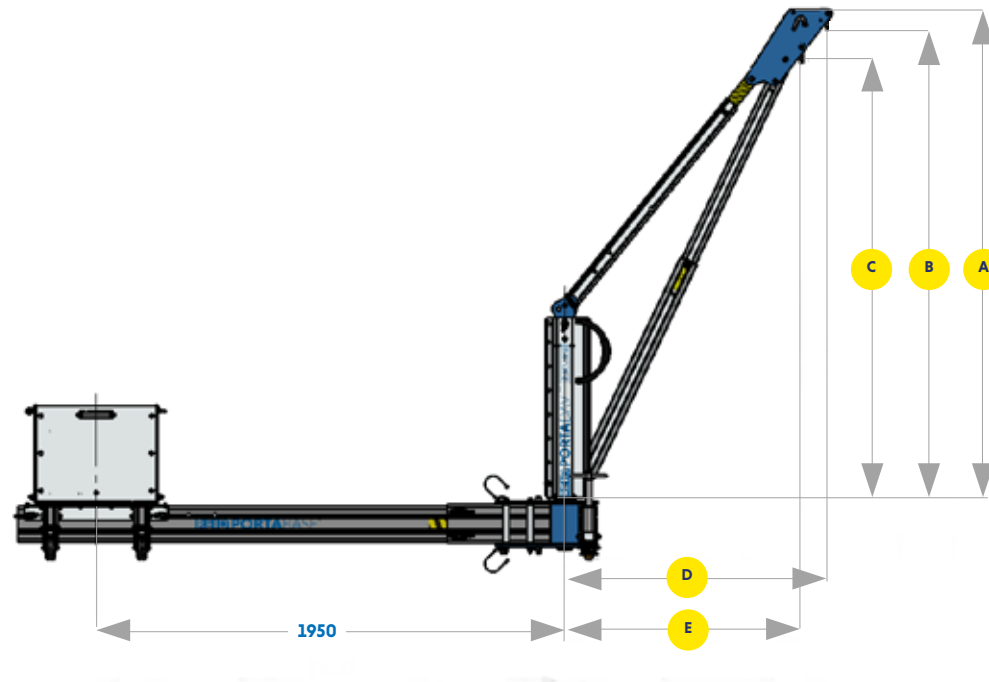


PRODUCT CODE	HEIGHT OF LIFT (HOL) (MM)		RADIUS (MM)		WLL			WEIGHT (KG)
	Position A	Position B	Position A	Position B	Goods [kg]	Personnel [kg]	Fall Arrest	
TDDWA3A0	1290	1540	800	740	600	300	1 person	34
TDDWA3A1	1300	1615	1000	925	500	250	1 person	35
TDDWA3A2	1310	1690	1200	1110	400	200	1 person	36
TDDWA4A0	1605	1855	800	740	600	300	1 person	36
TDDWA4A1	1615	1930	1000	925	500	250	1 person	37
TDDWA4A2	1625	2005	1200	1110	400	200	1 person	38
TDDWA5A0	1915	2165	800	740	600	300	1 person	39
TDDWA5A1	1925	2240	1000	925	500	250	1 person	40
TDDWA5A2	1935	2315	1200	1110	400	200	1 person	41

PORTABASE® Counterbalance | **PORTADAVIT QUANTUM**®

PBC/DS/EN/V5/09/2021

- A** Overall height
- B** Height to outer shackle
- C** Height to inner shackle
- D** Radius to outer shackle
- E** Radius to inner shackle



DIMENSIONS (MM)

PRODUCT CODE	GOODS WLL (KG)	PERSONNEL WLL (KG)	FALL ARREST	RADIUS ADJUSTMENT POINTS	A	B	C	D*	E*
PDQRW	600	300	1 person	1	2150	2078	1928	800	700
PDQ1W PDQ1S	400	200	1 person	1	2007	1935	1799	1200	1100
	450	225		2	2061	1989	1848	1100	1000
	500	250		3	2111	2039	1892	1000	900

REID Lifting
 Unit 1 Wyeview,
 Newhouse Farm Ind. Estate
 Chepstow, Monmouthshire
 NP16 6UD UK

All information herein is copyright protected by REID Lifting Ltd. All company and product names are Trade Mark and Trade Name protected and all REID Product IPR is protected under Patents, Patents Pending and/or Design Rights.

Printed using environment friendly processes and materials.

- +44 (0)1291 620 796
- enquiries@reidlifting.com
- www.reidlifting.com