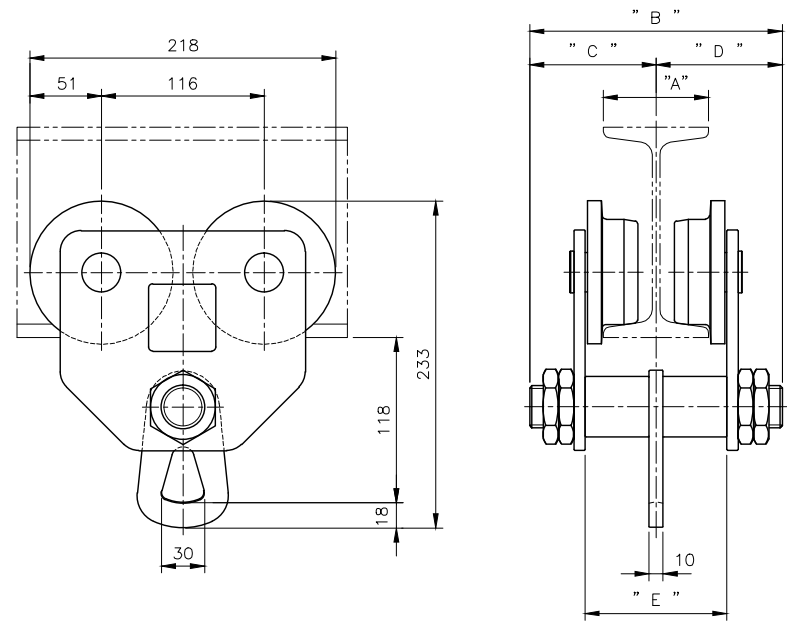


1 2 3 4 5 6 7 8

No.	DESCRIPTION	MATERIAL	Q'TY	WEIGHT(kg)		REMARK
				UNIT	TOTAL	

SPECIFICATION	
Item	STAINLESS STEEL PUSH TROLLEY
Model	CHZ INOX 1
Capacity	0.5 Ton
Test Load	0.75 Ton
Min. distance hook to beam	118 mm
Min. radius curve	1200 mm
Size	218[L] x "B"[W] x 233[H]
Paint color	Maker Standard
Net weight	10.5 Kg [STD]

DIMENSION (unit : mm)				
I-BEAM "A"	"B"	"C"	"D"	"E"
75	180	90	90	101
100	205	102.5	102.5	126
125	230	115	115	151



NO.	DATE	DESCRIPTION	REV.	CONFIRMED BY
SCALE 1 : 5	WEIGHT Kg	DWG NAME	STAINLESS STEEL PUSH TROLLEY 0.5 TON	
CHK. BY		DWG No.	ASSEMBLY DWG	
DSN. BY		DWG DATE	CHZ INOX 1	
DWN. BY		DWG DATE	2014 . 08 . 18	
3RD ANGLE PROJECTION		VERLINDE LIFTING EQUIPMENT		

1 2 3 4 5 6 7 8

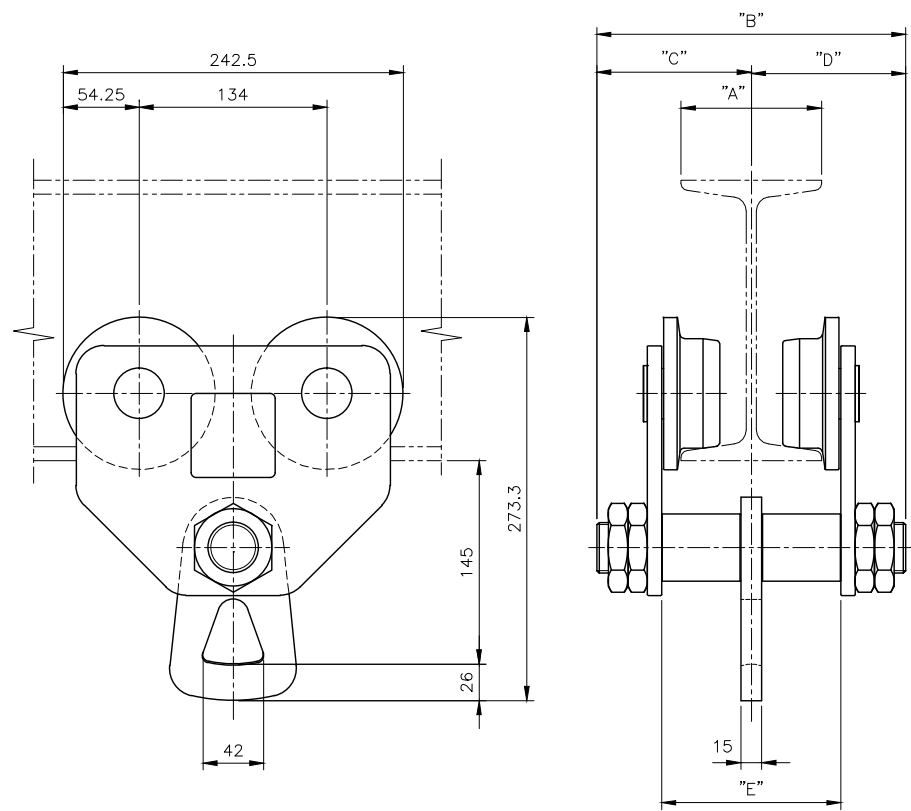
A
B
C
D
E
F
G
H

A
B
C
D
E
F
G
H

1 2 3 4 5 6 7 8

No.	DESCRIPTION	MATERIAL	Q'TY	WEIGHT(kg)		REMARK
				UNIT	TOTAL	

A
B
C
D
E
F
G
H



SPECIFICATION	
Item	STAINLESS STEEL PUSH TROLLEY
Model	CHZ INOX 2
Capacity	1.0 Ton
Test Load	1.5 Ton
Min. distance hook to beam	145 mm
Min. radius curve	1300 mm
Size	242.5[L] x "B"[W] x 273.3[H]
Paint color	Maker Standard
Net weight	15.8 Kgf [STD]

DIMENSION (unit : mm)					
I-BEAM "A"	"B"	"C"	"D"	"E"	
100	220	110	110	128	
125	245	122.5	122.5	153	
150	270	135	135	178	

NO.	DATE	DESCRIPTION	REV.	CONFIRMED BY
SCALE 1 : 5	WEIGHT	Kg	DWG NAME	STAINLESS STEEL PUSH TROLLEY 1.0 TON
CHK. BY			DWG No.	ASSEMBLY DWG
DSN. BY			DWG No.	CHZ INOX 2
DWN. BY			DWG DATE	2014 . 08 . 18
3RD ANGLE PROJECTION		VERLINDE LIFTING EQUIPMENT		

1 2 3 4 5 6 7 8