

pewag winner lifting clamps

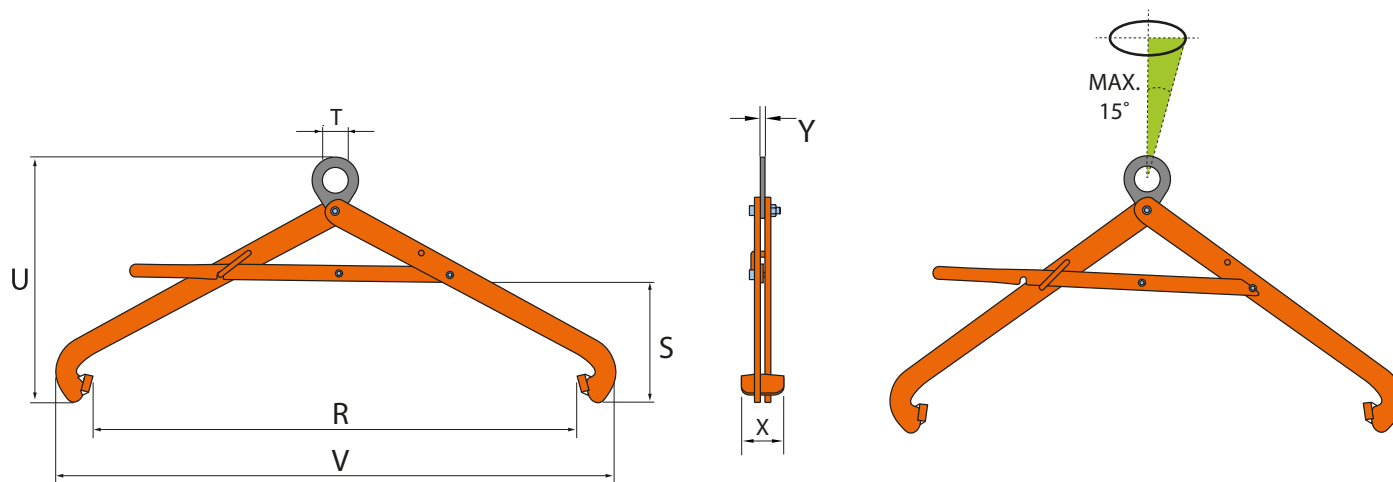
Lifting



VSHW pewag winner drum clamps

This barrel gripper is designed for moving, lifting and lowering horizontally stored barrels (horizontal moving).

The barrel gripper should preferably be used for closed barrels.



Code	Load capacity [kg]	Jaw-opening R [mm]	U [mm]	S [mm]	V [mm]	T [mm]	X [mm]	Y [mm]	Weight [kg/pc.]
VSHW 0,6 t	600	500-900	475	230	1080	50	82	10	7